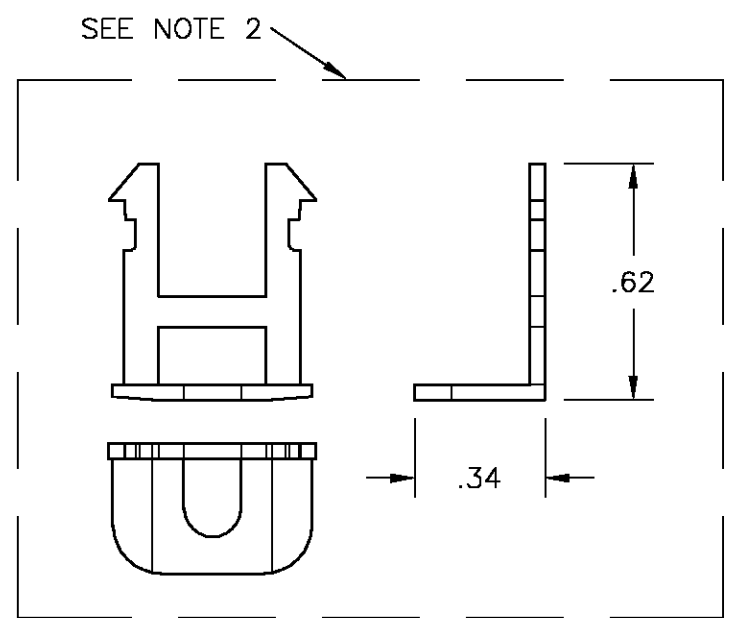
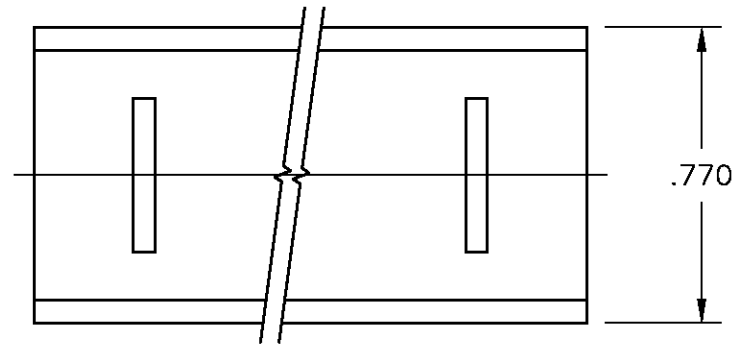
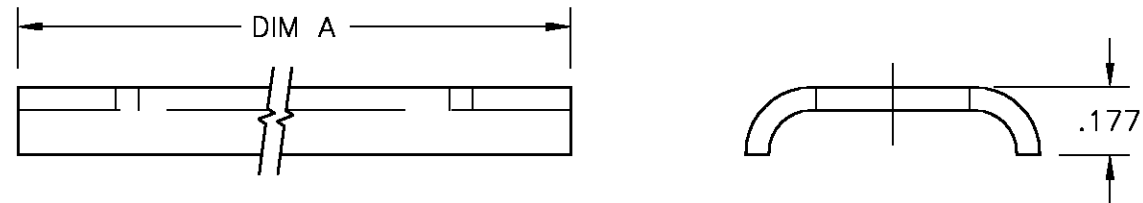


THIS DRAWING IS UNPUBLISHED. RELEASED FOR PUBLICATION
 © COPYRIGHT - BY TYCO ELECTRONICS CORPORATION. ALL RIGHTS RESERVED.

LOC	DIST	REVISIONS			
P	LTR	DESCRIPTION	DATE	DWN	APVD
FT	0	C	REVISED PER 0G3B-0339-04	4/14/04	SS SRY

- NOTE:
1. TERMINAL COVER MADE FROM 640-0442-00.
 2. COVER MOUNTS(2 PER TERMINAL COVER) ARE BULK PACKED UNLESS OTHERWISE SPECIFIED.



9.69	TC9-24-AG	2-1776049-4
9.32	TC9-23-AG	2-1776049-3
8.94	TC9-22-AG	2-1776049-2
8.57	TC9-21-AG	2-1776049-1
8.19	TC9-20-AG	2-1776049-0
7.82	TC9-19-AG	1-1776049-9
7.44	TC9-18-AG	1437645-5
7.07	TC9-17-AG	1-1776049-7
6.69	TC9-16-AG	1-1776049-6
6.32	TC9-15-AG	1-1776049-5
5.94	TC9-14-AG	1437645-4
5.57	TC9-13-AG	1-1776049-3
5.19	TC9-12-AG	1-1776049-2
4.82	TC9-11-AG	2-1437645-1
4.44	TC9-10-AG	1-1776049-0
4.07	TC9-09-AG	1437645-2
3.69	TC9-08-AG	1437645-1
3.32	TC9-07-AG	9-1437644-9
2.94	TC9-06-AG	9-1437644-8
2.57	TC9-05-AG	9-1437644-6
2.19	TC9-04-AG	9-1437644-4
1.82	TC9-03-AG	9-1437644-3
1.44	TC9-02-AG	9-1437644-2

DIM A	CATALOG NUMBER	TYCO PART NO.
-------	----------------	---------------

THIS DRAWING IS A CONTROLLED DOCUMENT.		DWN E. ZANOLINI 05MAR2002	BUCHANAN Tyco Electronics Corporation Harrisburg, Pa 17105-3608				
DIMENSIONS: INCHES 		CHK E. ZANOLINI 05MAR2002					
TOLERANCES UNLESS OTHERWISE SPECIFIED: 0 PLC ± - 1 PLC ± - 2 PLC ± .02 3 PLC ± .010 4 PLC ± - ANGLES ± 1/2		APVD D. BIEVENOUR 05MAR2002	NAME TERMINAL COVER W/COVER MOUNTS				
MATERIAL		FINISH	PRODUCT SPEC	SIZE	CAGE CODE	DRAWING NO	RESTRICTED TO
-		-	-	A3	00779	C-9-1437644-2	-
CUSTOMER DRAWING			WEIGHT	SCALE	SHEET	OF	REV
-			-	1:1	1	1	C